

M11x2.0 HIGH FEATURE V6 3.0 / 3.6 HEAD BOLT THREAD REPAIR KIT

- WARNING -

Cutting tools may shatter if broken. The wearing of safety glasses is required in the vicinity of their use.

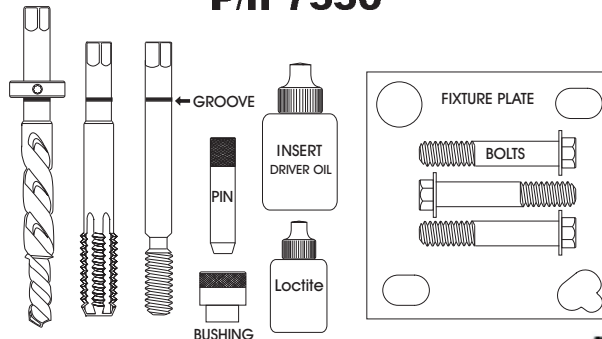
CUTTING FLUID

A Cutting fluid is necessary for drilling and tapping. (WD40)

DRILL MOTOR

The use of a half inch drill motor is recommended for drilling.

P/n 7330

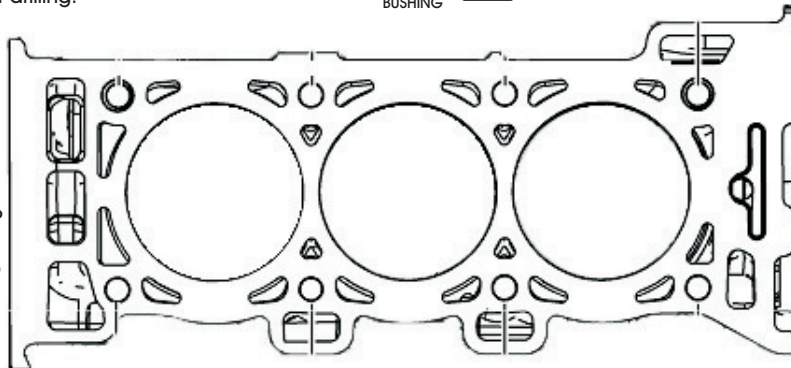


Tools needed:

- Drill fixture
- Drill bushing
- Alignment pin
- Bolts (3)
- Step drill
- Tap
- Insert driver
- Inserts (16)
- loctite
- Driver oil

USED IN BLOCKS WHERE THE FIRST THREAD STARTS Approx. .60mm or 2.360"

MEASURING FROM THE TOP OF THE BLOCK DOWN TO THE FIRST STARTING THREAD



- 2008-2011 Cadillac CTS 304 hp
- 2008-2011 Cadillac STS 302 hp
- 2009-present Buick Enclave 288 hp
- 2009-present Chevrolet Traverse single exhaust 281 hp
- 2009-present Chevrolet Traverse dual exhaust 288 hp
- 2009-present GMC Acadia 288 hp
- 2009 Saturn Outlook single exhaust 281 hp
- 2009 Saturn Outlook dual exhaust 288 hp
- 2009-present Daewoo Veritas
- 2009-present Holden VE Commodore Sv6 281 hp
- 2009-present Holden WM Statesman/Caprice 281 hp
- 2010-2011 Buick LaCrosse CXS 280 hp
- 2010 Chevrolet Camaro 304 hp
- 2011 Chevrolet Camaro 312 hp

INSTRUCTIONS

STEP 1

PLACE LARGEST HOLE IN DRILL FIXTURE OVER THE HOLE TO BE REPAIRED. PLACE BUSHING IN FIXTURE, THEN PLACE LINE UP PIN IN BUSHING TO PICK UP HOLE. DO NOT FORCE PIN INTO HOLE. USE BOLTS AND TIGHTEN TO SECURE FIXTURE IN PLACE. REMOVE LINE PIN.

STEP 2

USE A SUITABLE DRILL MOTOR AND STEP DRILL THE HOLE UNTIL THE STOP COLLAR ON THE DRILL LINES UP WITH THE TOP OF THE DRILL BUSHING. THIS WILL REQUIRE REMOVING DRILL AND BUSHING SEVERAL TIMES TO CLEAR CHIPS. CLEAN OUT ALL CHIPS.

NOTE: If drill bushing turns while drilling hole, Remove drill and drill bushing, Clean out all chips.
We recommend using a long air nozzle 6" or longer to blow out all chips.

STEP 3

TAP THROUGH THE DRILL BUSHING UNTIL THE GROOVE ON THE TAP LINES UP WITH THE TOP OF THE DRILL BUSHING. THIS WILL REQUIRE REMOVING THE TAP AND BUSHING SEVERAL TIMES TO CLEAR CHIPS. CLEAN ALL CHIPS USING BRAKE OR CONTACT CLEANER THAT WILL NOT LEAVE AN OILY RESIDUE, THE HOLE MUST BE CLEAN AND DRY. USE A FLASHLIGHT TO INSPECT THE HOLE FOR CHIPS AND CLEANLINESS.

STEP 4

REMOVE FIXTURE PLATE FOR STEP 4

USE INSERT DRIVER OIL (DO NOT USE WD40.)

OIL THE THREADS OF THE INSERT DRIVER. SCREW AN INSERT ONTO THE DRIVER, APPLY A SMALL AMOUNT OF LOCTITE ON THE BOTTOM OUTSIDE THREADS ON THE INSERT AND SCREW THE INSERT INTO THE PREPARED HOLE. WHEN THE HEAD OF THE INSERT IS SEATED THE DRIVER WILL TIGHTEN UP, USE A LITTLE MORE POWER TO SCREW THE DRIVER THROUGH THE INSERT UNTIL THE GROOVE OF THE DRIVER LINES UP WITH THE TOP OF THE BLOCK. REMOVE INSERT DRIVER REPAIR IS COMPLETE.

Please check for the latest torque specifications before assembling the engine.
 Improper torque of the head can lead to thread failure.